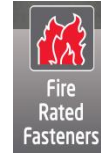


TOGE TSO Suspension Spring Anchor

Approved for use in Cracked Concrete
(For multiple use in non-structural applications)

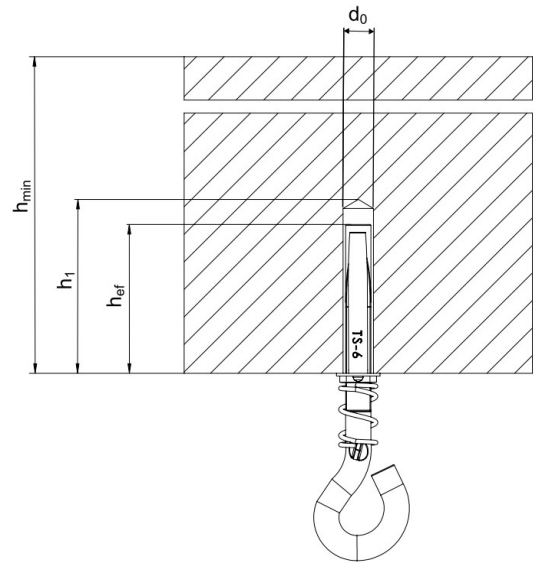
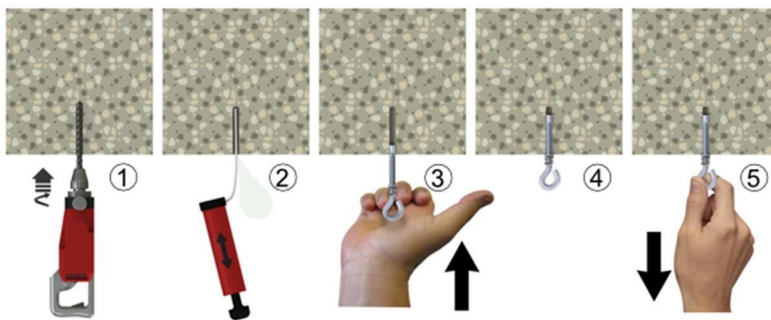


TSÖ



ETA – 11 / 0290

Technical Information



Technical Specifications			
			TSÖ / TS IM 8/10
Drill diameter	d_0	[mm]	6
Hole depth	$h_1 \geq$	[mm]	40
Anchorage depth	$h_{ef} \geq$	[mm]	33
Minimum thickness	h_{min}	[mm]	80
Minimum edge distance	c_{min}	[mm]	100
Minimum spacing	s_{min}	[mm]	200
Allowable load in concrete C 20/25 to C 50/60	F_{Rd}	[kN]	0,7

ICCONS Pty Ltd.

Head Office, 12-18 Produce Drive,
Dandenong South, Victoria, 3175

P: 03 9706 4344
F: 03 9768 3329
E: info@iccons.com.au

